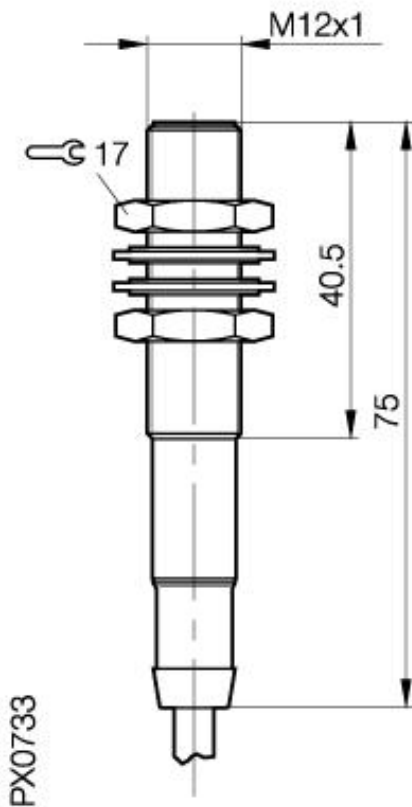


Inductive Sensors BES 516-325-SA 19-03

**M12x1 x 75
normally-open
Sn=2mm
shielded**

pressure rated to 3 bar, temperature rated



Common Data

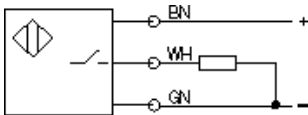
Mounting in steel	shielded
Rated operating distance Sn	2mm
Assured operating distance Sa	0...1.6mm
Repeatability R	≤ 5%
Hysteresis	≤ 15%
Ambient temperature range	-25...+120°C
Polution Degree	3
Time delay before availability	≤ 10ms
Particular characteristics	pressure rated to 3 bar,
temperature rated	

Mechanical Data

Measurements BxHxT or DxT	M12x1 x 75mm
Housing material	Nickel plated brass
Material of sensing face	PAI
Degree of protection	IP68 acc. BWN Pr 20IP
Connection	Cable
Cable type	SI-SL-O
Schock: Halfsinus, 30 gn, 11ms	
Vibration: 55 Hz, 1mm Amplitude, 3 x 30 Minutes	

Electrical Data

Current type	DC
Wiring	3-Wire
switching function	normally-open
Output signal	PNP
Rated operational voltage	24 DCV
Rated operational current	200mA
Supply voltage	10...30 DCV
Ripple	≤ 15%
max. switching frequency	1000Hz
No-load supply current	≤ 25/≤ 12mA
Off-state current	≤ 80µA
Voltage drop	≤ 1.8/-V
Short circuit protection	no
Protected against polarity reversal	yes



Utilization categories
Insulation class

DC 13

Datasheet number:

Definitions see general catalog.
If not otherwise noted, ratings according to
IEC 60947-5-2 (DIN EN60947-5-2)

Balluff GmbH
Schurwaldstrasse 9
73765 Neuhausen a.d.F.
Phone (07158) 173-0 Fax (07158) 5010

Datenblatt by CD-ROM - 04/2007

BALLUFF
sensors worldwide